

# PACKING LIST FOR 10' x 10' CANOPY

\*NOTE: Canopy Dimensions Not Exact\*

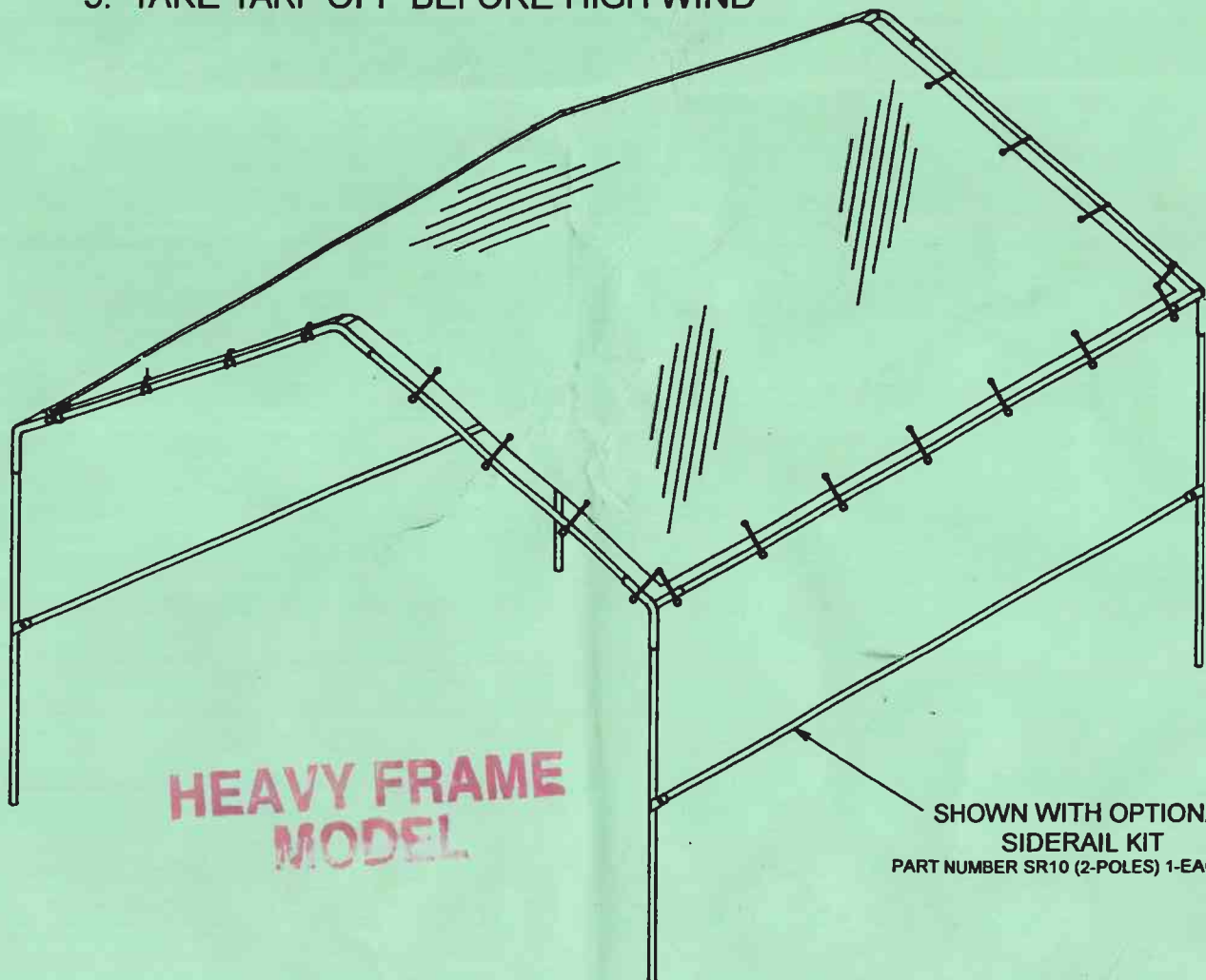
QTY.	PART No.	DESCRIPTION
1	T1012	TARP FOR 10' X 10'
6	E3	3 WAY END PIECE
34	BB6	BALL BUNGIES - 6"
8	P58	5' 8" GALVANIZED POLES
3	P50	5' GALVANIZED POLES
3	P50S	5' GALVANIZED POLES - SWAGED

} When these two poles are put together they make a P99 - 9' 9" pole.

\*Poles are 1.315" O. D.

## \*\*\*\* NOTES \*\*\*\*

1. READ ALL INSTRUCTIONS BEFORE STARTING ASSEMBLY.
2. CANOPIES MUST BE SECURED DOWN (SEE OPTIONAL DETAILS ON PAGE 3)
3. NOT INTENDED FOR PERMANENT USE
4. TAKE TARP OFF BEFORE HEAVY SNOW
5. TAKE TARP OFF BEFORE HIGH WIND



**HEAVY FRAME  
MODEL**

SHOWN WITH OPTIONAL  
SIDERAIL KIT  
PART NUMBER SR10 (2-POLES) 1-EACH SIDE

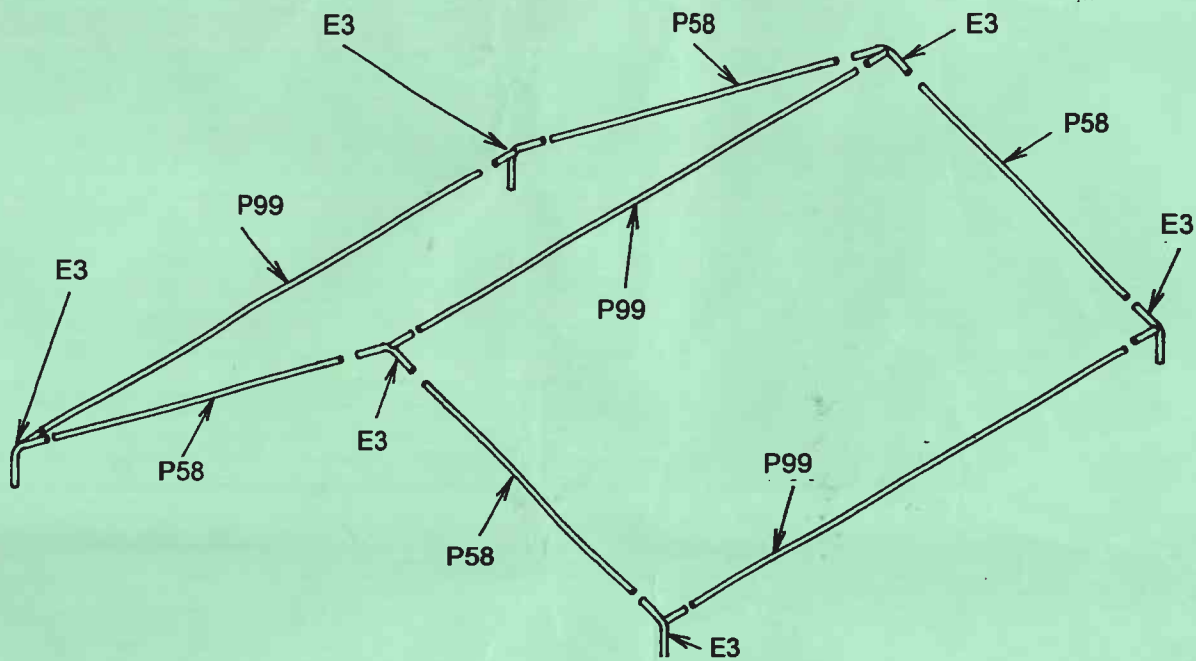
# ASSEMBLY OF 10' x 10' CANOPY

Assembly of the canopy should be on a level sight and assembled in the following order.

**WARNING: DO NOT USE FOR SNOW COVER.**

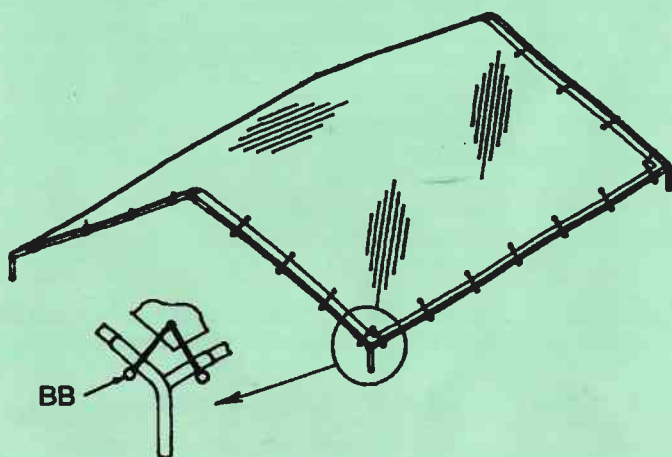
**STEP 1:** a) Lay out the top section of the canopy on the ground as follows.

- b) Insert Part Number P99 into Part Number E3.
- c) Insert Part Number P58 into Part Number E3.

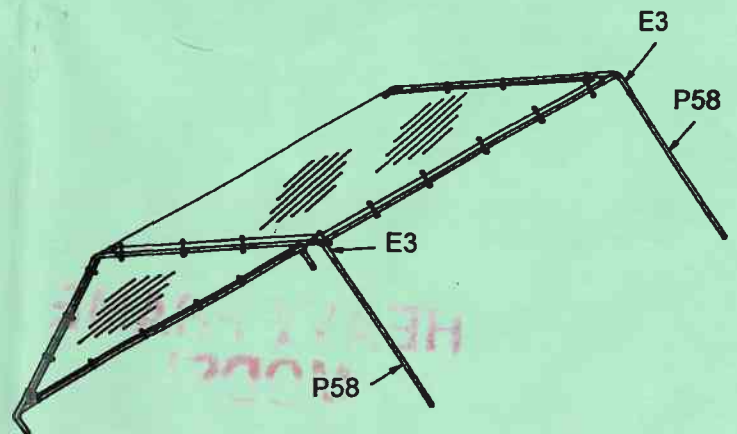


**STEP 2:** a) Extend tarp over assembly and attach Part Number BB.  
"Tarp will only fit one way"

Note: Do opposite corners, then sides and top with Part Number BB.  
"Only corners on ends get double bungie"



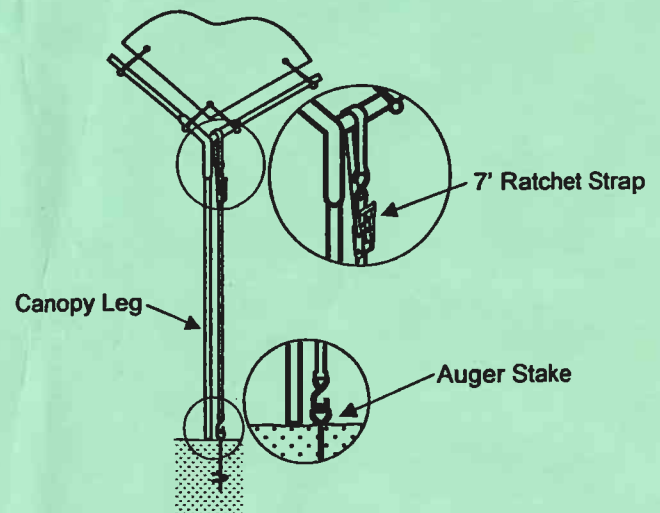
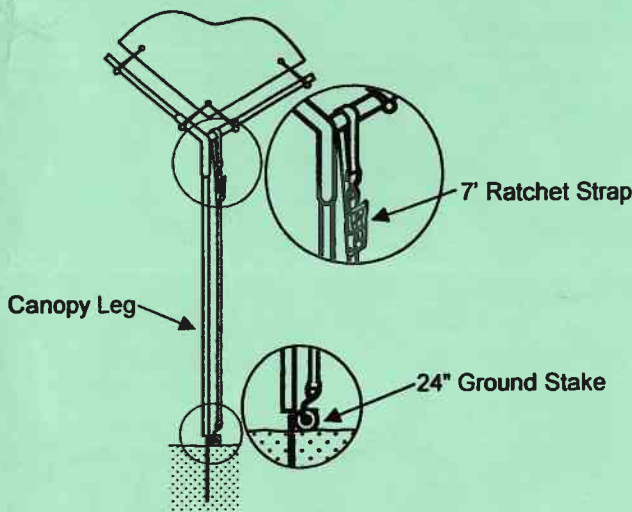
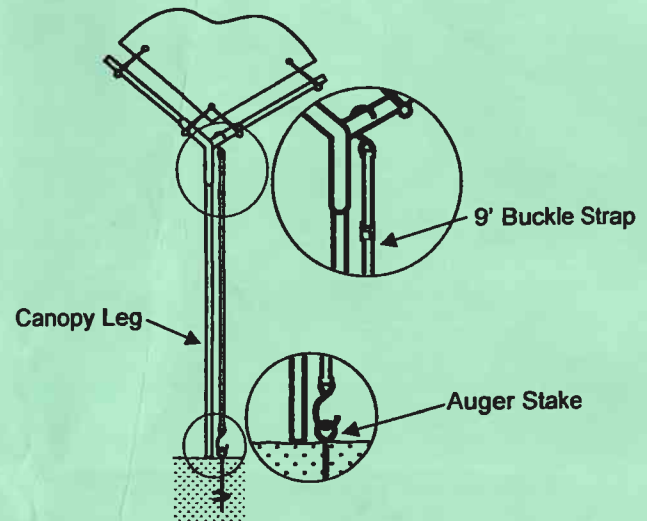
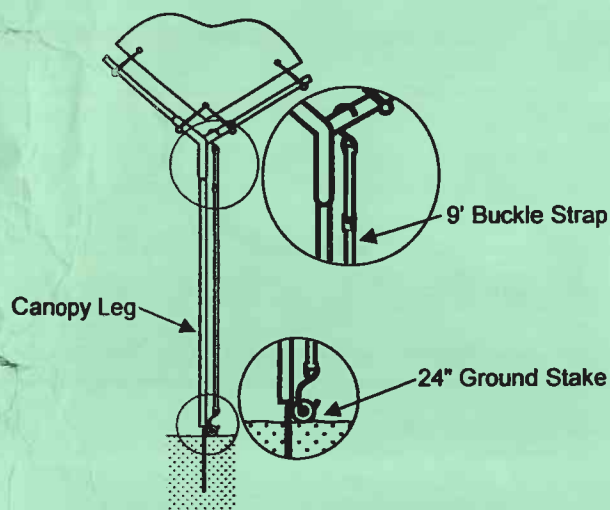
**STEP 3:** a) Insert Part Number P58 into Part Number E3.  
Starting with one side and completing that side, then do the opposite side.  
b) Do not forget to secure canopy to ground.



# HELPFUL HINTS ON ASSEMBLY OF THE 10' x 10' CANOPY

1. Pick a good level spot to setup the All-Purpose Canopy.
2. If the tarp does not fit check the following:
  - a) Make sure poles are pushed firmly into all the 3-way end pieces and 4-way center pieces.
  - b) If tarp is too short on the one side, then rotate 90 degrees.
3. Remove tarp or take down canopy before (SNOW & WIND STORMS) this will keep the tarp and poles in good condition.
4. Make sure canopy is secured from the 3-way ends and 4-way centers down to the ground.
5. When putting legs on, start with the center leg. The canopy will balance on that one leg, and complete that side. Do the same for the other side.
6. Enjoy!!

## OPTIONAL TIE-DOWN METHODS



## ALL PURPOSE CANOPY THIRTY DAY LIMITED WARRANTY

Harpster of Philipsburg promises to repair or replace the All Purpose Canopy or any part of it within thirty (30) days of purchase if defective in materials or workmanship. This limited warranty does not cover damage due to neglect, wind, snow, fire, misuse or any act of God, nor does this limited warranty cover damage resulting from the canopy not having been securely fastened down nor from improper installation. Harpster of Philipsburg makes no other warranty and the remedy of repair or replacement is the exclusive remedy. Harpster of Philipsburg, is not liable for indirect, incidental or consequential damages in connection with the use of the All Purpose Canopy, including any cost or expense of providing substitute equipment or service during periods of non-use. Any defective canopy or part must be sent, shipping pre-paid, to Harpster of Philipsburg, attention Warranty Department, 202 Airport Road, Philipsburg, Pennsylvania 16866.

### EXCLUSION OF WARRANTIES

Harpster of Philipsburg makes no warranties which extend beyond the description on the face hereof. Specifically, the Warranty of Merchantability and the Warranty of Fitness for a Particular Purpose are Excluded. The only WARRANTY which is made by Harpster of Philipsburg is the "THIRTY DAY LIMITED WARRANTY" described above.

[www.harpster-canopies.com](http://www.harpster-canopies.com)

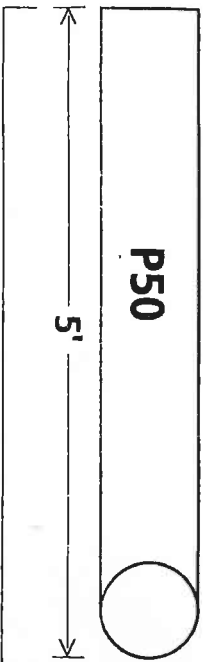
Harpster of Philipsburg, Inc. • P.O. Box 429 • 202 Airport Road • Philipsburg, PA 16866 Phone: (814) 342-2930 • Fax (814) 342-4193 • Email: [sales@harpster-canopies.com](mailto:sales@harpster-canopies.com)

# IMPORTANT INFORMATION!!

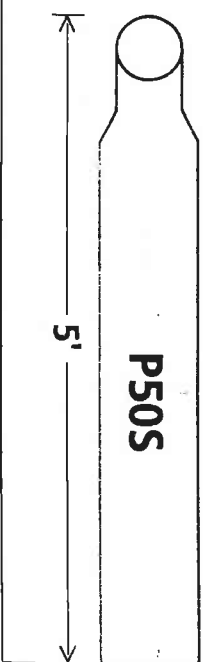
## Please Read Carefully

### How To Assemble The P99 9' 9" Galvanized Pole

Non-Swaged Pole



Swaged End Pole

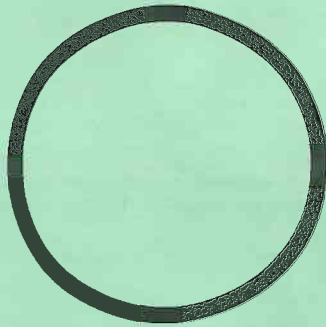


When put together makes 9' 9"

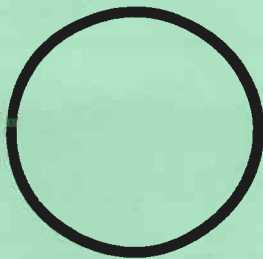
Insert Swaged End into one side of the Non-Swaged Pole to make your P99.  
Then proceed with the rest of your instructions, located in your Canopy box.

# OPTIONAL ACCESSORIES

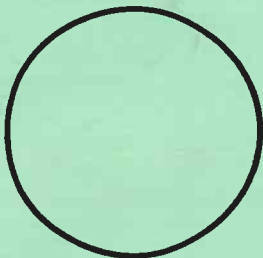
ASK YOUR LOCAL DEALER FOR FURTHER INFORMATION



**1.660" OD  
16 GAUGE  
COMMERCIAL FRAME**



**1.315" OD  
17 GAUGE  
HEAVY DUTY FRAME**



**1.315" OD  
20 GAUGE  
STANDARD FRAME**

## REPLACEMENT PARTS & ACCESSORIES

- Gable End Panels
- Ground Stakes
- Replacement Poles
- Replacement Tarps
- Flag Holders
- Ball Bungies
- 7' Ratchet Straps
- Grommet Repair Kit
- End Clamp
- Boulevard Clamp
- Corner Clamp
- Side Rail Kits
- Side Panels
- Buckle Straps
- 4" x 4" Base Plate with 5" Sleeve

## CANOPY SIZES AVAILABLE:

10' x 10'	10' x 20'
18' x 20'	18' x 30'
12' x 30'	18' x 40'